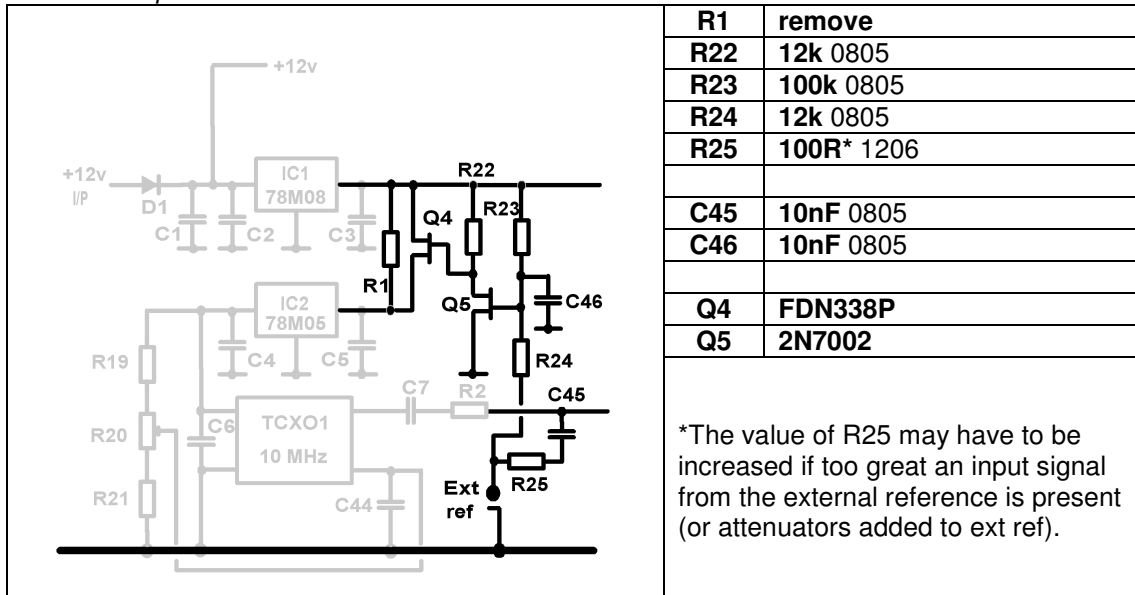


External 10 MHz reference option

This option is not part of the standard build. However, it is possible to operate the board from an external 10 MHz reference source. If the following components are fitted, the on-board TCXO can be made to switch off automatically when the external source is fitted. For this to work, the external source must present a low (less than 1k) dc resistance to ground.

Circuit and parts-list



It is important to ensure that R1 (0R), which is part of the 'standard' build is removed.

These components are shown towards the top left hand corner in the following picture (see also the layout drawing at the beginning of this section):

